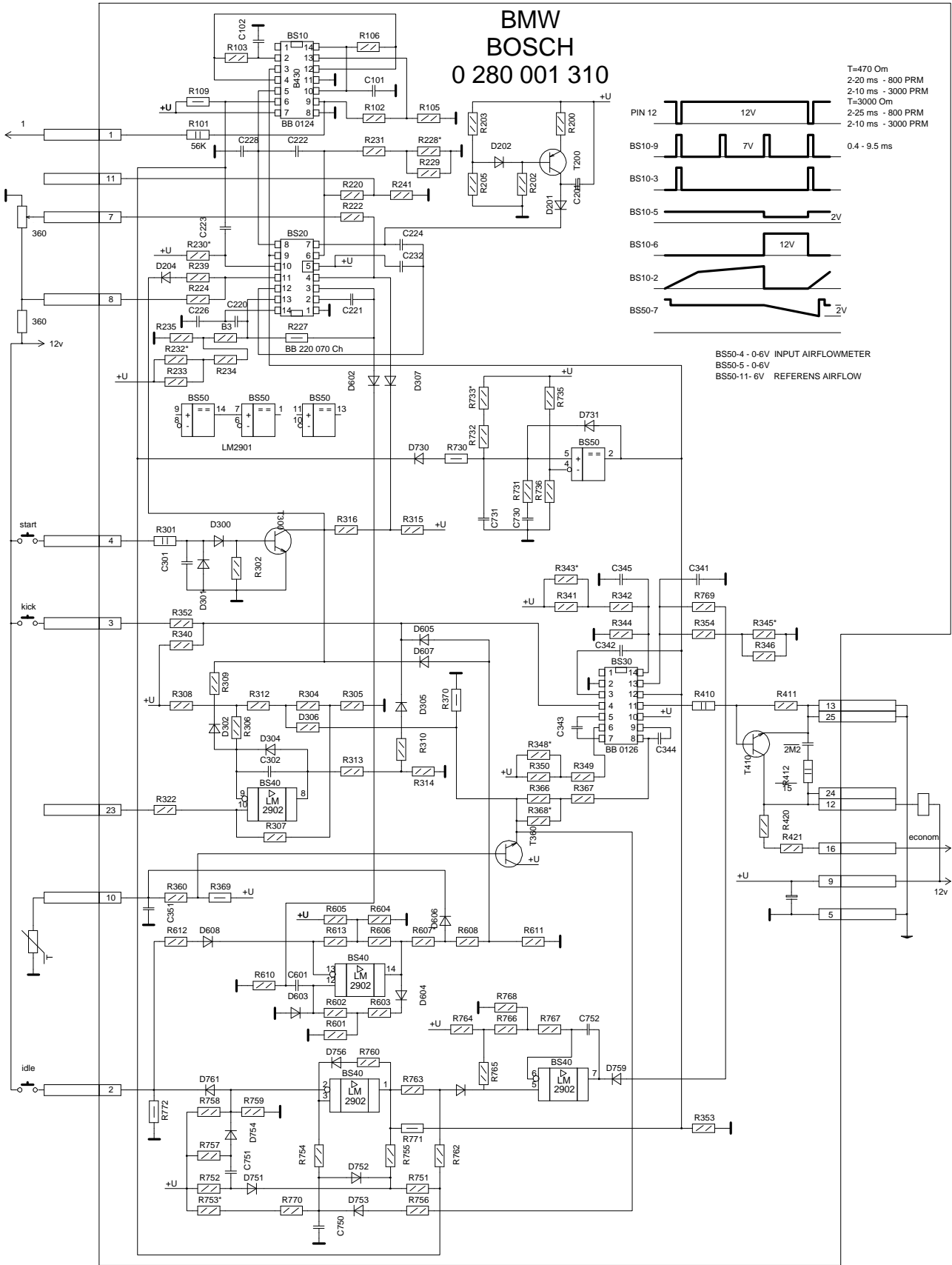
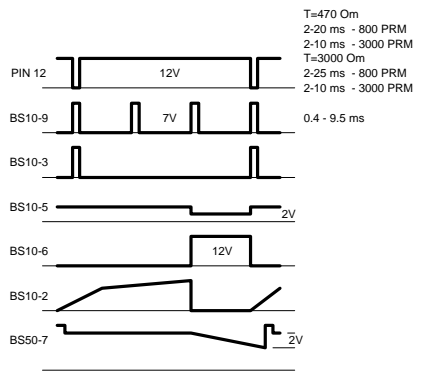


# BMW LEJETRONIC



BMW  
BOSCH  
0 280 001 310



BS50-4 - 0-6V INPUT AIRFLOWMETER  
BS50-5 - 0-6V  
BS50-11-6V REFERENS AIRFLOW

econom  
12v